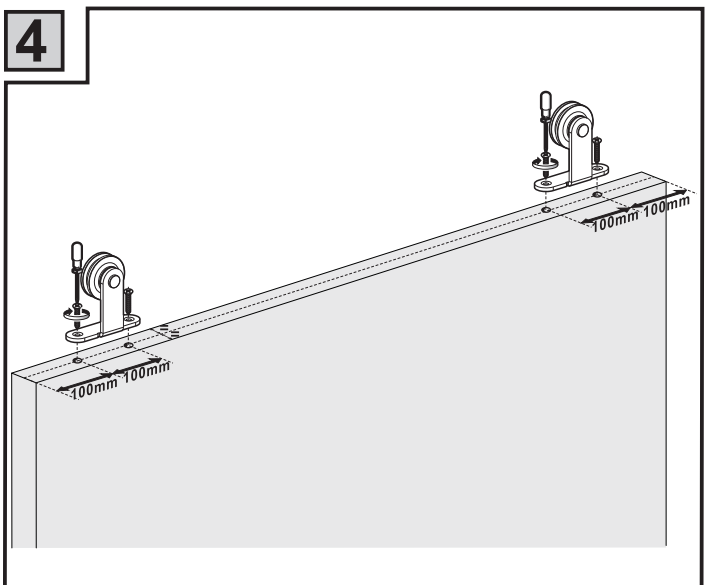
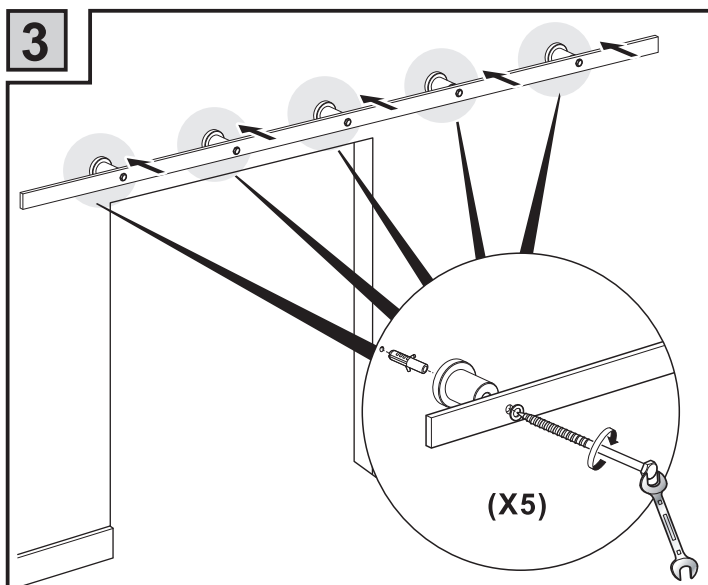
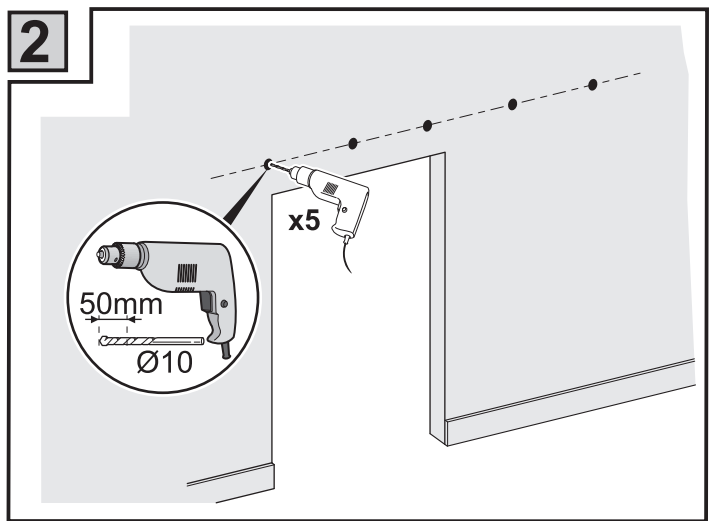
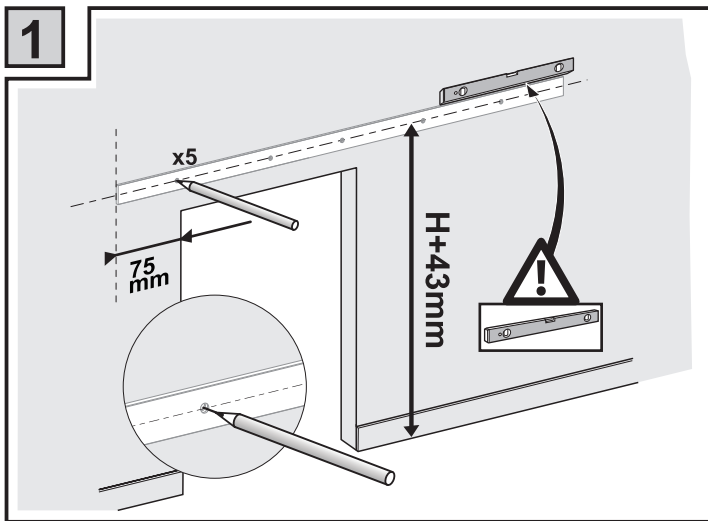
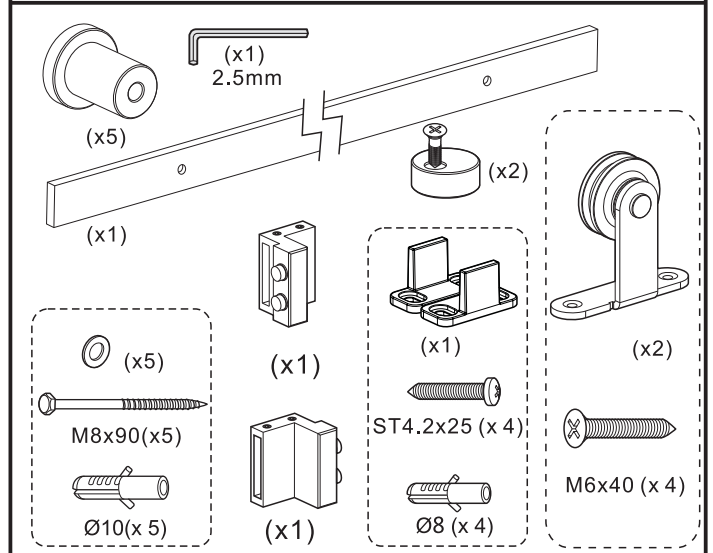
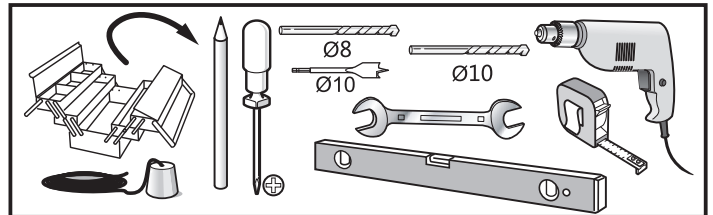
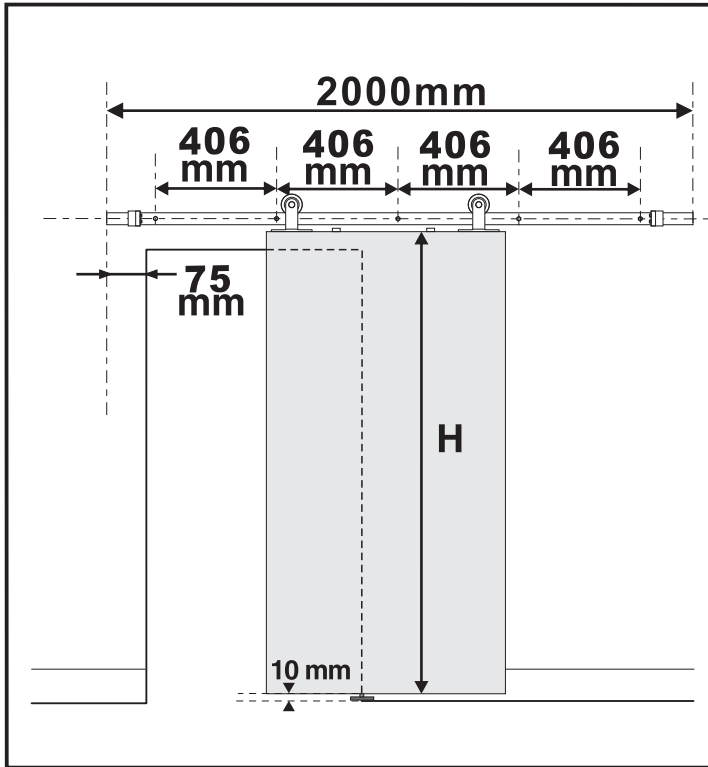
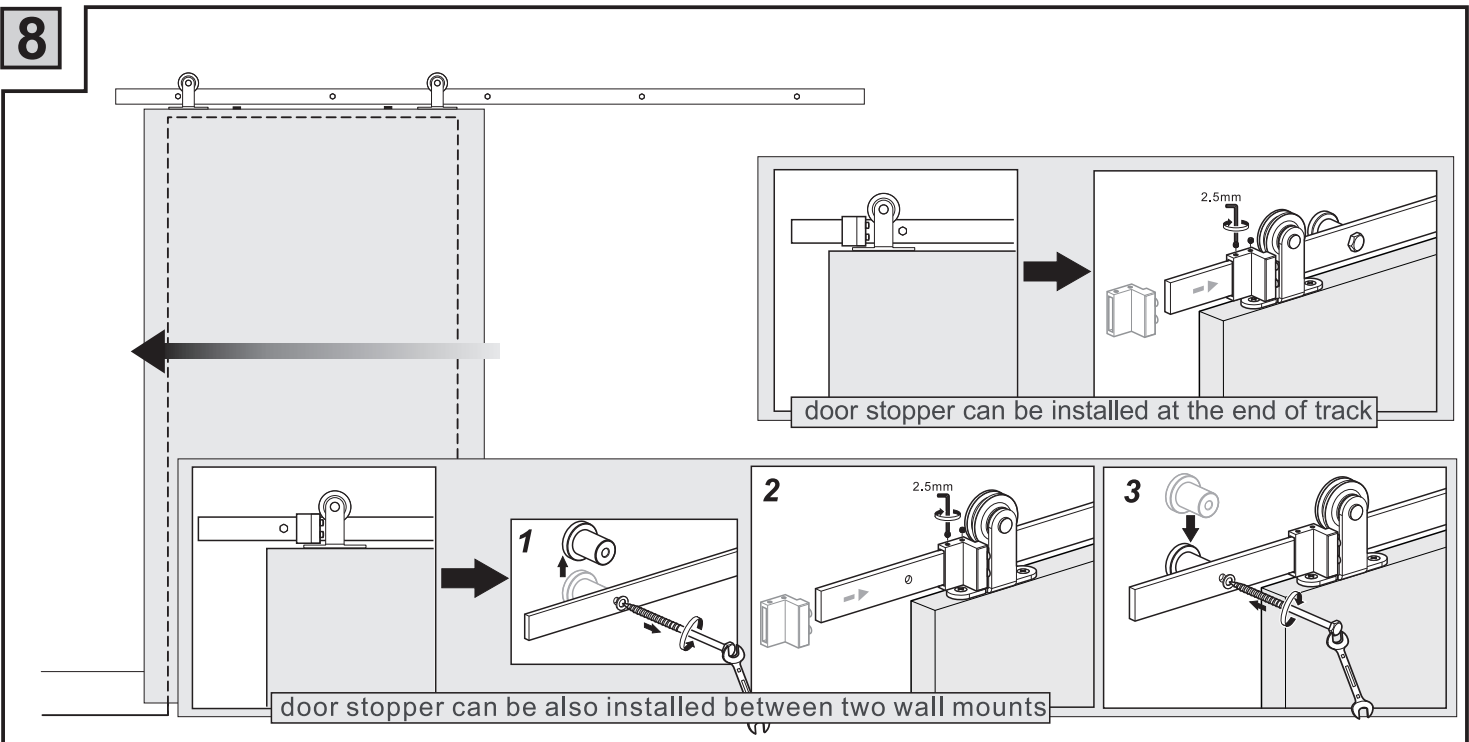
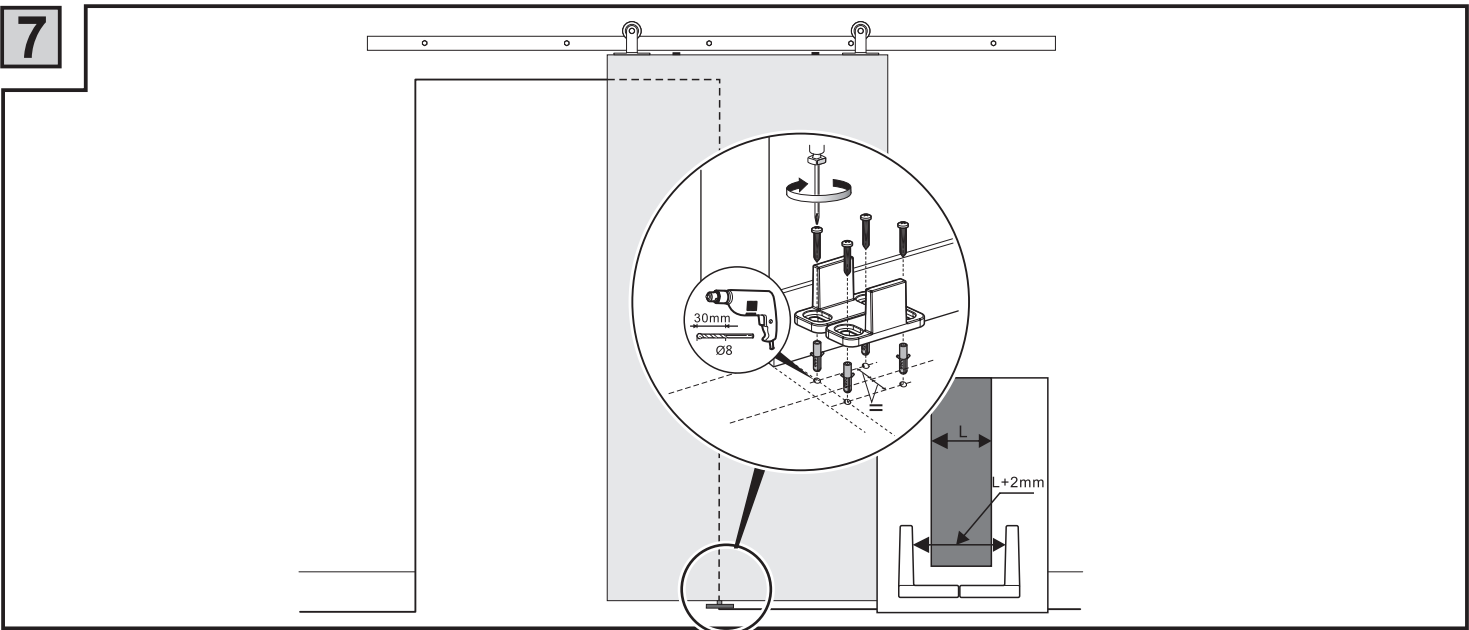
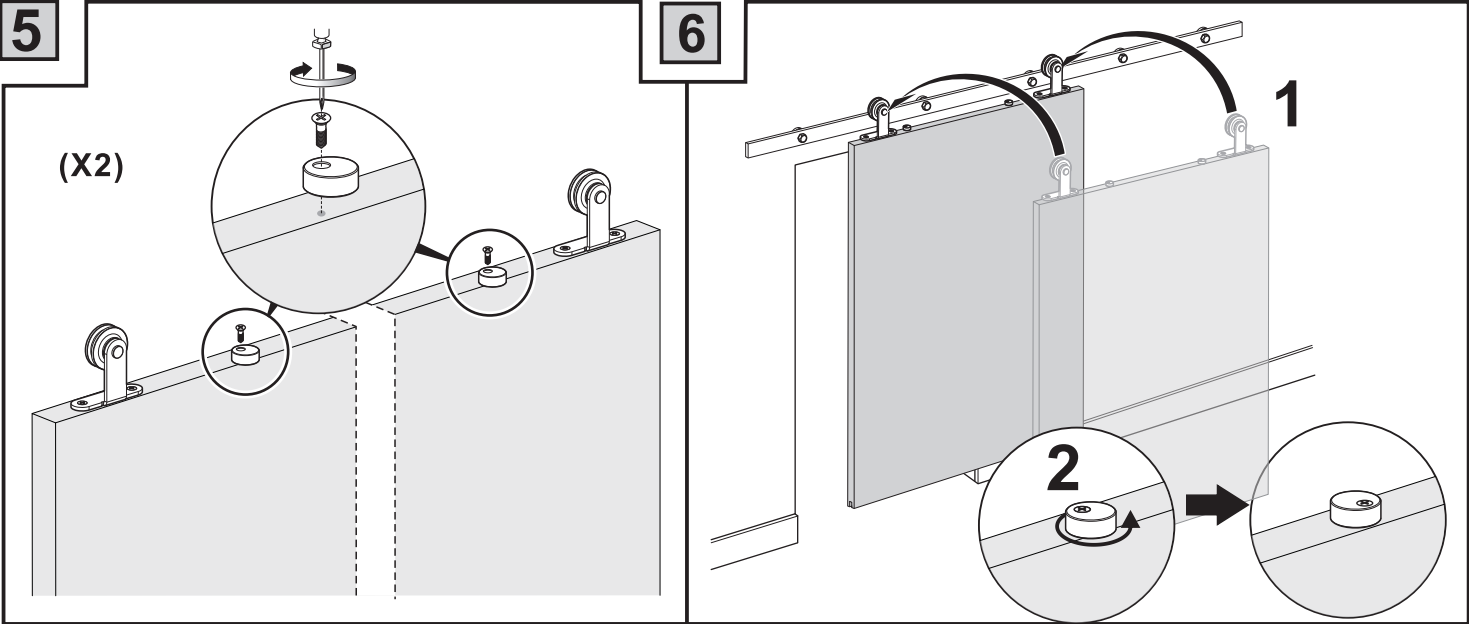
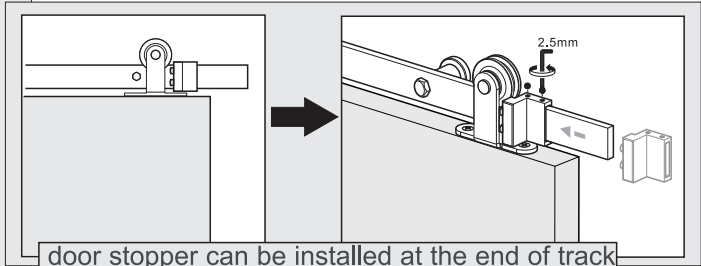
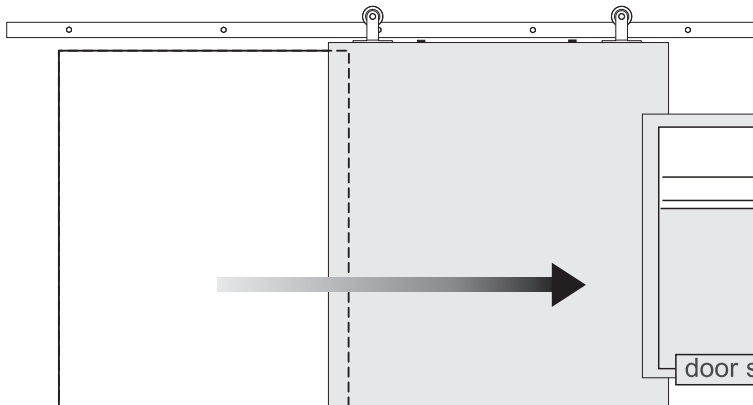


Installation Manual

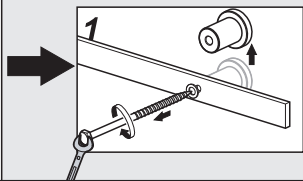
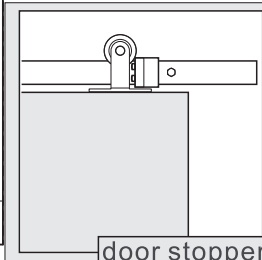




9



door stopper can be installed at the end of track



door stopper can be also installed between two wall mounts

